

Single lamp, solid state light engine, recessed, open slot accent light with nominal 8" square aperture.

TYPE: _____

JOB: _____

SPECIFIER: _____

SPECIFICATIONS

HOUSING - Extruded aluminum with bolt on end plates and integral flange. Airtight construction suitable for direct contact with insulation.

SOCKET - Precision die-formed aluminum yoke with CNC machined lampholder assembly.

MOUNTING - Recessed in architectural ceiling.

ELECTRICAL - Integral dimmable electronic driver with internal short circuit protection. 120v-277v primary, compatible with 0-10v dimmers.

LENS - Solite, Supertex, Frosted, Opal available. For more options, consult factory.

TRIM - Flanged.

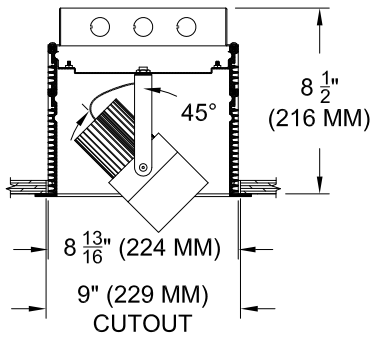
LAMP - Xicato LED supplied with fixture. Available in 2700 or 3000K color temperature and 80 or 95 CRI.

FINISH - Powder paint on all surfaces in black and white as standard. Additional colors and RAL palette available. Consult factory for custom finishes.

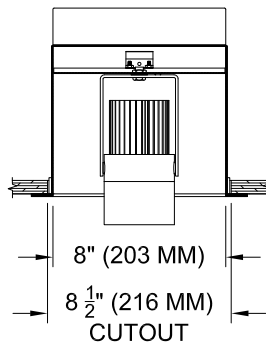
LABELS - CSA-C,US, Damp location

APPLICATIONS

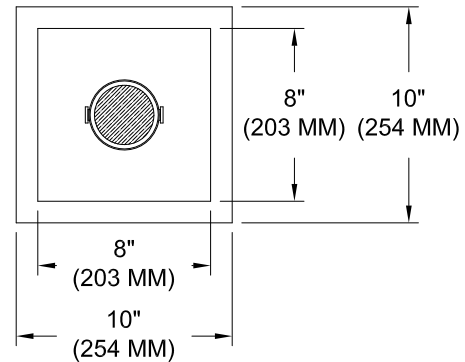
Accent and downlighting in low to medium ceiling heights typically found in residential, commercial and retail applications. Suitable for new construction. Can be used in surfaces such as wood, stone, etc.



SECTION



SECTION



REFLECTED PLAN VIEW

ORDERING INFORMATION

HOUSING	DRIVER	BEAMSPREAD	HOUSING FIN-	TRIM FINISH	APERTURE LENS
1005-LEDX-AFH					
Flange Housing 8 = 80CRI 27 = 2700K 9 = 95CRI 30 = 3000K 35 = 3500K 40 = 4000K	125 =120v-277v HE 127=120v-277v HO 1210=120v-277v VHO	20 = 20 Degrees 30 = 30 Degrees 40 = 40 Degrees	WHT= White BLK = Black PXX = SLI Color XXXX = RAL # CST = Custom	WHT= White BLK = Black PXX = SLI Color XXXX = RAL # CST = Custom	91A = Solite 92A = Supertex 93A = Sandblasted 95A = Full Prismatic 99A = White Opal

This information is provided as a specification aid. A submittal will be prepared by the manufacturer for approval prior to fabricating this product.



SPECIALTY LIGHTING INDUSTRIES, INC.

NOTE: These specifications subject to change without notice.

www.specialtylightingindustries.com

1306 DORIS AVENUE, OCEAN, NJ 07712 USA 800.462.7812 732.517.0800 FAX 732.517.0971 © 1/14