

Single lamp, solid state light engine, recessed accent light with nominal 4" (102mm) square aperture. Accent and downlighting in low to medium ceiling heights typically found in residential, commercial and retail applications. Suitable for new construction. AmbientDim™ provides Superior CRI at all dimming levels.

## SPECIFICATIONS

### HOUSING

- Extruded aluminum with bolt on end plates and integral flange

### MOUNTING

- Recessed in architectural ceiling

### ELECTRICAL

- Integral dimmable electronic driver with internal short circuit protection

### LAMP

- AmbientDim™ LED supplied with fixture

### SOCKET

- Precision aluminum yoke with CNC machined lampholder assembly

### LENS

- Solite, Veiling Acrylic available as standard. For more options, consult factory


### TRIM

- Flanged housing

### FINISH

- Powder paint on all surfaces in black and white as standard
- Additional colors and RAL palette available
- Consult factory for custom finishes

### LABELS

-  , US tested to UL standards 1598, Damp location

**JOB:** \_\_\_\_\_

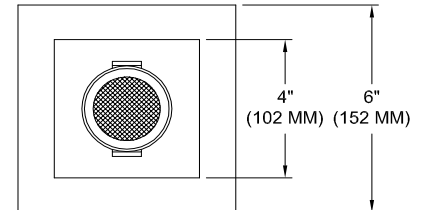
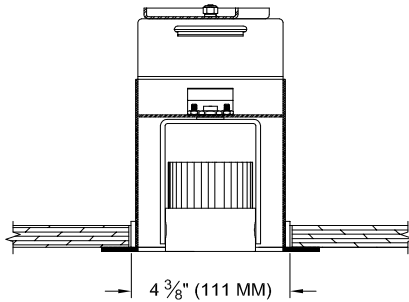
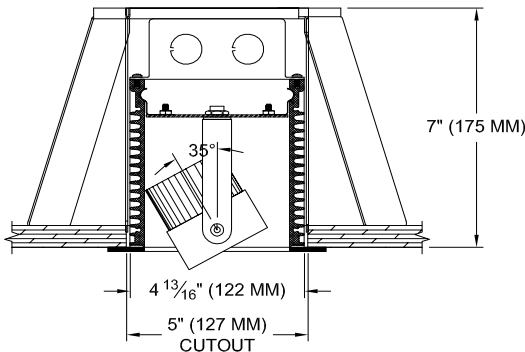
**SPECIFIER:** \_\_\_\_\_

**TYPE:** \_\_\_\_\_

**QUANTITY:** \_\_\_\_\_

**SIGNATURE:** \_\_\_\_\_

 AmbientDim™



## ORDERING INFORMATION

1005-LED-AD-FH	SOURCE / DRIVER	BEAMSPREAD	TRIM / FINISH	LAMP LENS	ACCESSORIES
	AD14 /		/		
Flanged Housing Ambient Dimming LED  *CCT Max 3000K-1900K	AD14=350ma, 14.5W, 1000lm  S1 =0-10V dimming, 1%, 120-277v T1 =TRIAC/ELV 2-wire, 3% 120v (Lead/Trail Edge) E1 =EldoLED 0-10V Logarithmic Dim, 0.1%, 120-277v E2 =EldoLED DALI, 0.1%, 120-277v E3 =EldoLED 0-10V Linear Dim, 0.1%, 120-277v L2 =Ltrn Hi-lume 1% 2-wr LED driver (120v frwd phase) L3 =Lutron Hi-lume 1% 3-wire/EcoSystem, 120-277v LTB =Lutron Hi-lume 1% EcoSys LED driver, 1%, 120-277v, Soft-on, Fade-to-Black	15 = 15 Degrees 24 = 24 Degrees 38 = 38 Degrees	P14 = White BLK=Black ANA = Clear Aluminum XXXX = RAL# CST = Custom	Blank= None 79A= Veiling Acrylic 91A = Solite 93A = Frosted	97L= Black Hexcell



Patent Pending.  
These specifications subject to change without notice.

[www.specialtylightingindustries.com](http://www.specialtylightingindustries.com)  
1306 Doris Avenue, Ocean, NJ 07712 USA  
800.462.7812 732.517.0800 FAX:732.517.0971