

Multi lamp, solid state light engine, recessed, open slot accent light with nominal 4" x 16" rectangular aperture. Accent and downlighting in low to medium ceiling heights typically found in residential, commercial and retail applications. Suitable for new or existing construction in sheetrock ceiling.

## SPECIFICATIONS

### HOUSING

- Extruded aluminum with bolt on end plates and integral plaster flange

### MOUNTING

- Install from below in sheetrock ceiling

### ELECTRICAL

- Integral dimmable electronic driver with internal short circuit protection

### LAMP

- (4) Citizen LEDs supplied with fixture

### SOCKET

- Precision die-formed aluminum yoke with CNC machined lampholder assembly

### LENS

- Interchangeable reflector provides multiple beam patterns
- Solite, Veiling Acrylic available as standard. For more options, consult factory

### TRIM

- Flangeless housing

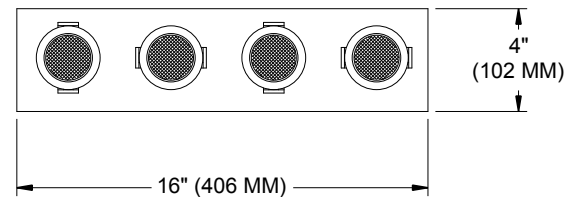
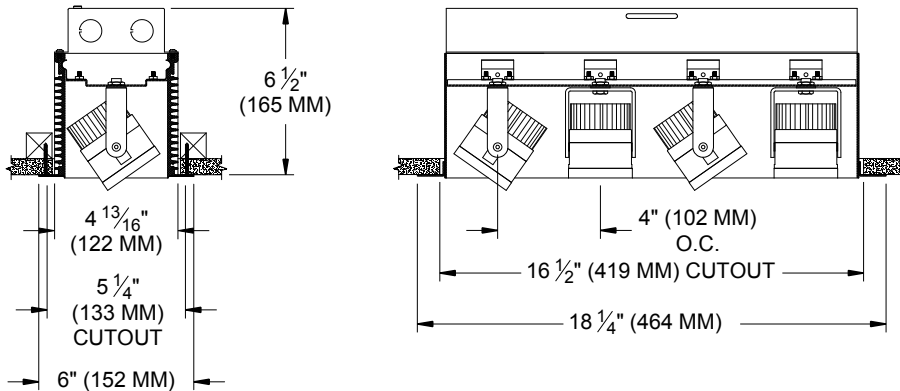
### FINISH

- Powder paint on all surfaces in black and white as standard
- Additional colors and RAL palette available
- Consult factory for custom finishes

### LABELS

-  , US tested to UL standards 1598, Damp location

JOB: \_\_\_\_\_  
 SPECIFIER: \_\_\_\_\_  
 TYPE: \_\_\_\_\_  
 QUANTITY: \_\_\_\_\_  
 SIGNATURE: \_\_\_\_\_



## ORDERING INFORMATION

1005-4LEDZ-PH	SOURCE / DRIVER	BEAMSPREAD	FINISH	LAMP LENS	ACCESSORIES
	<b>CZ14</b> /				
Plaster Housing 9 = 90+CRI 27 = 2700K 30 = 3000K 35 = 3500K 40 = 4000K	<b>CZ14</b> =120-277v, 14W 1100lm  S1 =0-10V dimming, 1%, 120-277v T1 =TRIAC/ELV 2-wire, 3% 120v (Lead/Trail Edge) E1 =EldoLED 0-10V Logarithmic Dim, 0.1%, 120-277v E2 =EldoLED DALI, 0.1%, 120-277v E3 =EldoLED 0-10V Linear Dim, 0.1%, 120-277v L2 =Ltrn Hi-lume 1% 2-wr LED driver (120v fwd phase) L3 =Lutron Hi-lume 1% 3-wire/EcoSystem, 120-277v LTB =Lutron Hi-lume 1% EcoSys LED driver, 1%, 120-277v, Soft-on, Fade-to-Black	10 = 10 Degrees 20 = 20 Degrees 30 = 30 Degrees	P14 = White BLK=Black ANA = Clear Aluminum XXXX = RAL# CST = Custom	Blank = None 79A=Veiling Acrylic 91A = Solite 93A = Frosted	97L = Black Hexcell



Patent Pending.  
 These specifications subject to change without notice.

[www.specialtylightingindustries.com](http://www.specialtylightingindustries.com)  
 1306 Doris Avenue, Ocean, NJ 07712 USA  
 800.462.7812 732.517.0800 FAX:732.517.0971