

Dual lamp, low voltage halogen, recessed, open slot accent light with nominal 4" x 8" rectangular aperture.

TYPE: _____

JOB: _____

SPECIFIER: _____

SPECIFICATIONS

HOUSING - Extruded aluminum with bolt on end plates and integral flange.

SOCKET - Precision die-formed aluminum yoke with CNC machined lampholder assembly.

MOUNTING - Recessed in architectural ceiling.

LENS - Clear pyrex safety lens. Optional borosilicate lenses available for lampholder.

ELECTRICAL - Integral dimmable electronic transformer. 120v primary lead, (220v, 240v, 277v available), 11.75v secondary with overload protection. Remote transformer available. External thermoprotector.

TRIM - Flanged.

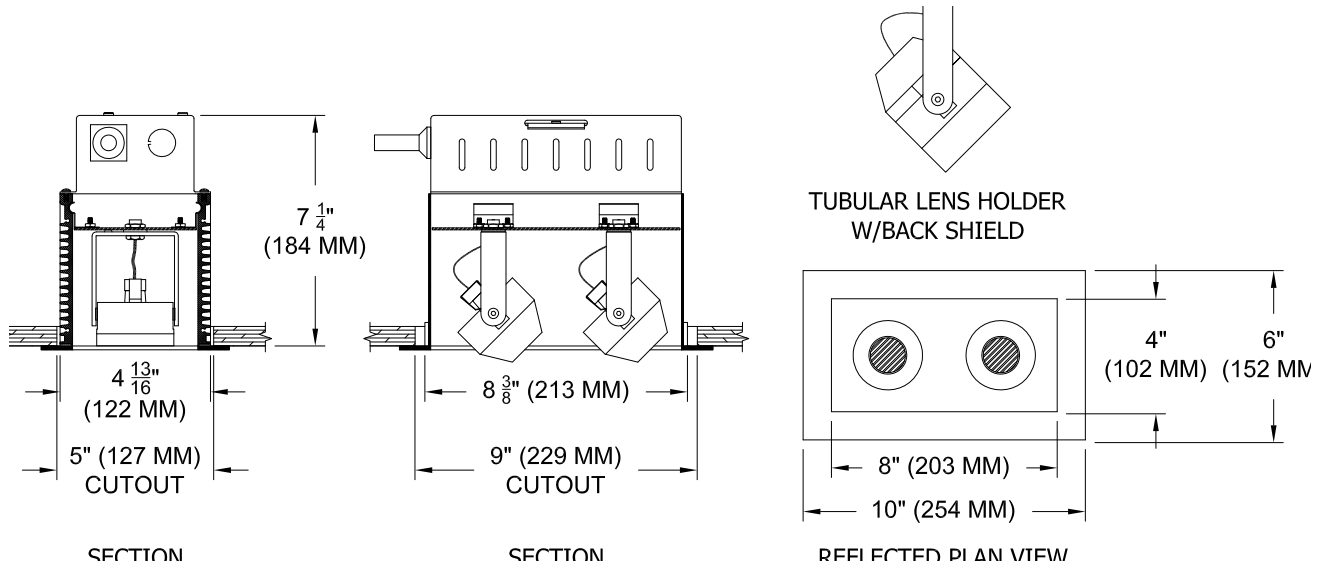
LAMP - (2) MR-16, 50w max. supplied by others.

FINISH - Powder paint on all surfaces in black and white as standard. Additional colors and RAL palette available. Consult factory for custom finishes.

LABELS - UL, CUL, Damp Location

APPLICATIONS

Accent and downlighting in low to medium ceiling heights typically found in residential, commercial and retail applications. Suitable for new construction. Can be used in surfaces such as wood, stone, etc.



ORDERING INFORMATION

HOUSING	TRANSFORMER	LENS HOLDER	LAMP LENS	HOUSING FINISH	TRIM FINISH	OPTIONS
1005-2MR16-FH						
Flange Housing	EX = Electronic 120 EX2=2 Cir. 220 Electronic 240 RX = Remote 277 TX = Magnetic	CL= Conical FL = Flat IL = Indexed TL = Tubular	90L = Clear 91L = Solite 92L = Supertex 95L = Full Prismatic 96L = Black Hexcell	WHT = White BLK = Black PXX = SLI Color XXXX = RAL # CST = Custom	WHT = White BLK = Black PXX = SLI Color XXXX = RAL # CST = Custom	BS = Back Shield PD = Pull Down Yoke

This information is provided as a specification aid. A submittal will be prepared by the manufacturer for approval prior to fabricating this product.



SPECIALTY LIGHTING INDUSTRIES, INC.

NOTE: These specifications subject to change without notice.

www.specialtylightingindustries.com

1306 DORIS AVENUE, OCEAN, NJ 07712 USA 800.462.7812 732.517.0800 FAX 732.517.0971 ©07/14