

Dual lamp, solid state light engine, recessed, open slot accent light with nominal 4" x 8" rectangular aperture. Accent and downlighting in low to medium ceiling heights typically found in residential, commercial and retail applications. Suitable for new construction. Can be used in surfaces such as wood, stone, etc.

SPECIFICATIONS

HOUSING

- Extruded aluminum with bolt on end plates and integral flange

MOUNTING

- Recessed in architectural ceiling

ELECTRICAL

- Integral dimmable electronic driver with internal short circuit protection

LAMP

- (2) Citizen LEDs supplied with fixture

SOCKET

- Precision aluminum yoke with CNC machined lampholder assembly

LENS

- Interchangeable reflector provides multiple beam patterns
- Solite, Veiling Acrylic available as standard. For more options, consult factory


TRIM

- Flanged housing

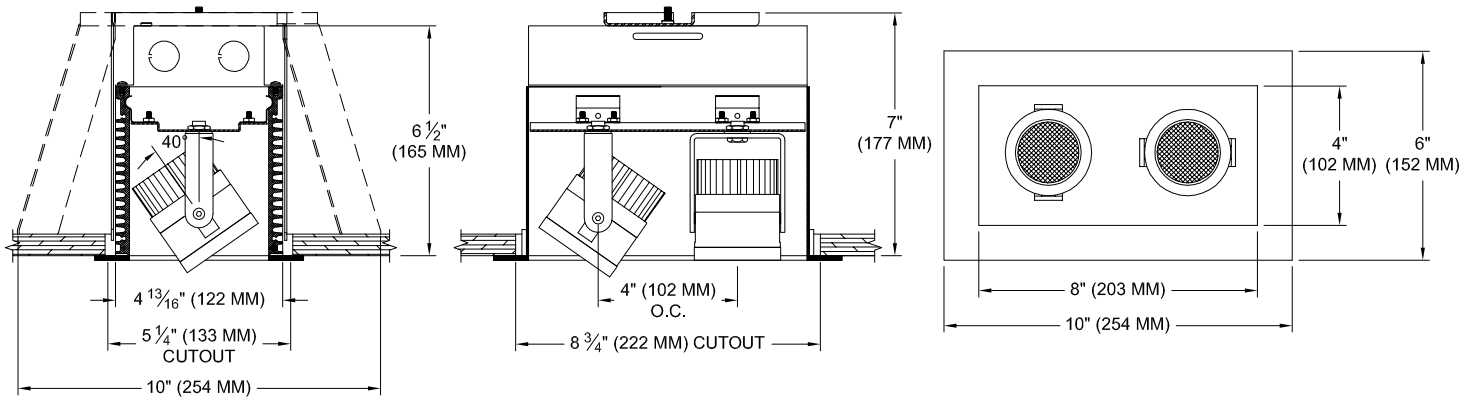
FINISH

- Powder paint on all surfaces in black and white as standard
- Additional colors and RAL palette available
- Consult factory for custom finishes

LABELS

-  , US tested to UL standards 1598, Damp location

JOB: _____
 SPECIFIER: _____
 TYPE: _____
 QUANTITY: _____
 SIGNATURE: _____



ORDERING INFORMATION

1005-2LEDZ-FH	SOURCE / DRIVER	BEAMSPREAD	TRIM / FINISH	LAMP LENS	ACCESSORIES
	CZ14 /		/		
Flanged Housing 9 = 90+CRI 27 = 2700K 30 = 3000K 35 = 3500K 40 = 4000K	CZ14 =120-277v, 14W 1100lm S1 =0-10V dimming, 1%, 120-277v T1 =TRIAC/ELV 2-wire, 3% 120v (Lead/Trail Edge) E1 =EldoLED 0-10V Logarithmic Dim, 0.1%, 120-277v E2 =EldoLED DALI, 0.1%, 120-277v E3 =EldoLED 0-10V Linear Dim, 0.1%, 120-277v L2 =Ltrm Hi-lume 1% 2-wr LED driver (120v fwd phase) L3 =Lutron Hi-lume 1% 3-wire/EcoSystem, 120-277v LTB =Lutron Hi-lume 1% EcoSys LED driver, 1%, 120-277v, Soft-on, Fade-to-Black	10 = 10 Degrees 20 = 20 Degrees 30 = 30 Degrees	P14 = White BLK =Black ANA = Clear Aluminum XXXX = RAL# CST = Custom	Blank = None 79A =Veiling Acrylic 91A = Solite 93A = Frosted	97L = Black Hexcell



Patent Pending.
 These specifications subject to change without notice.

www.specialtylightingindustries.com
 1306 Doris Avenue, Ocean, NJ 07712 USA
 800.462.7812 732.517.0800 FAX:732.517.0971