

Dual lamp, solid state light engine, recessed accent light with nominal 6" (152mm) x 12"(305mm) rectangular aperture with flange. Accent and downlighting in low to medium ceiling heights typically found in residential, commercial and retail applications. Suitable for new construction.

SPECIFICATIONS

HOUSING

- Extruded aluminum with bolt on end plates and integral flange

MOUNTING

- Recessed in architectural ceiling

ELECTRICAL

- Integral dimmable electronic driver with internal short circuit protection

LAMP

- (2) Xicato LED supplied with fixture

SOCKET

- Precision aluminum yoke with CNC machined lampholder assembly

LENS

- Interchangeable reflector provides multiple beam patterns
- Solite, Veiling Acrylic available as standard. For more options, consult factory


TRIM

- Flanged housing

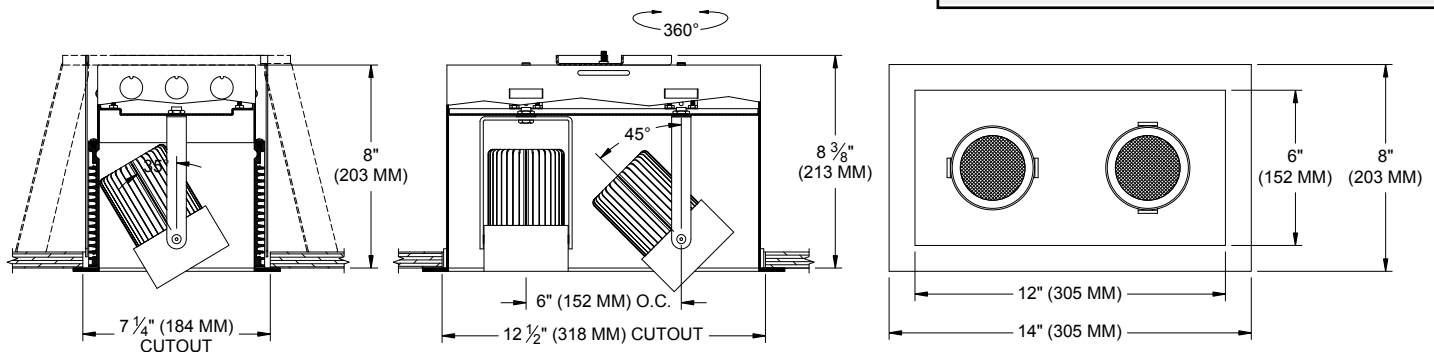
FINISH

- Powder paint on all surfaces in black and white as standard
- Additional colors and RAL palette available
- Consult factory for custom finishes

LABELS

-  , US tested to UL standards 1598, Damp location

JOB: _____
SPECIFIER: _____
TYPE: _____
QUANTITY: _____
SIGNATURE: _____



ORDERING INFORMATION

| 1005-2LEDX-FH | SOURCE / DRIVER | BEAMSPREAD | TRIM / FINISH | LAMP LENS | ACCESSORIES |
|---|---|---|---|---|---------------------|
| | / | | / | | |
| Flanged Housing 8 = 80CRI 27 = 2700K 9 = 98CRI 30 = 3000K 35 = 3500K 40 = 4000K | XT8 = 120v-277v, 8W 800lm XT12 = 120v-277v, 12W 1055lm XT17 = 120v-277v, 17W 1400lm XT26 = 120v-277v, 26W 2000lm S1 = 0-10V dimming, 1%, 120-277v T1 = TRIAC/ELV 2-wire, 3% 120v (Lead/Trail Edge) E1 = EldoLED 0-10V Logarithmic Dim, 0.1%, 120-277v E2 = EldoLED DALI, 0.1%, 120-277v E3 = EldoLED 0-10V Linear Dim, 0.1%, 120-277v L2 = Ltrn Hi-lume 1% 2-wr LED driver (120v frwd phase) L3 = Lutron Hi-lume 1% 3-wire/EcoSystem, 120-277v LTB = Lutron Hi-lume 1% EcoSys LED driver, 1%, 120-277v, Soft-on, Fade-to-Black | 20 = 20 Degrees 30 = 30 Degrees 40 = 40 Degrees | P14 = White BLK=Black ANA = Clear Aluminum XXXX = RAL# CST = Custom | Blank= None 79A = Veiling Acrylic 91A = Solite 93A = Frosted | 97L = Black Hexcell |



Patent Pending.
 These specifications subject to change without notice.

www.specialtylightingindustries.com
 1306 Doris Avenue, Ocean, NJ 07712 USA
 800.462.7812 732.517.0800 FAX:732.517.0971