

Dual lamp, solid state light engine, recessed accent light with nominal 6" (152mm) x 12"(305mm) rectangular aperture with flange. Accent and downlighting in low to medium ceiling heights typically found in residential, commercial and retail applications. Suitable for new construction.

## SPECIFICATIONS

### HOUSING

- Extruded aluminum with bolt on end plates and integral flange
- ≈ Airtight construction suitable for direct contact with insulation

### MOUNTING

- Recessed in architectural ceiling

### ELECTRICAL

- Integral dimmable electronic driver with internal short circuit protection

### LAMP

- (2) Xicato LED supplied with fixture

### SOCKET

- Precision aluminum yoke with CNC machined lampholder assembly

### LENS

- Interchangeable reflector provides multiple beam patterns
- Solite, Veiling Acrylic available as standard. For more options, consult factory


### TRIM

- Flanged housing

### FINISH

- Powder paint on all surfaces in black and white as standard
- Additional colors and RAL palette available
- Consult factory for custom finishes

### LABELS

-  , US tested to UL standards 1598, Damp location, IC/Airtight

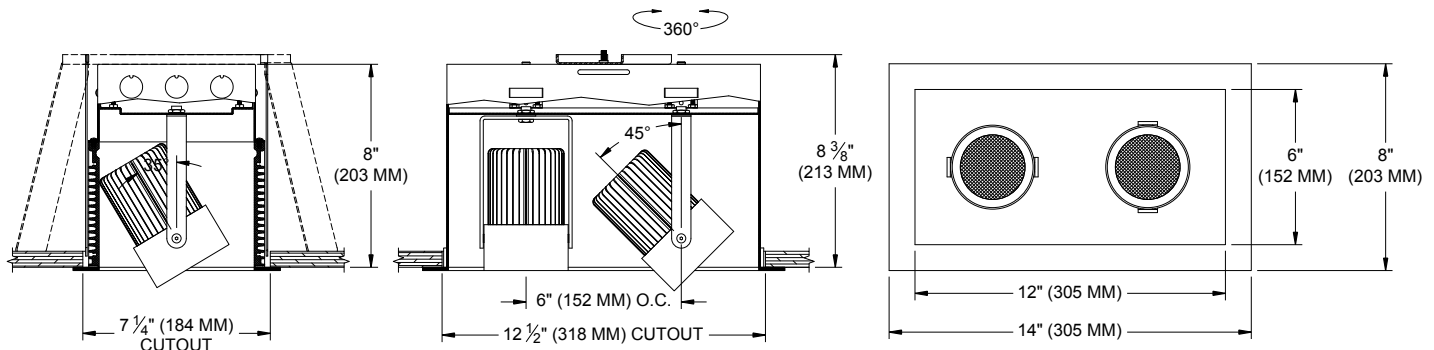
**JOB:** \_\_\_\_\_

**SPECIFIER:** \_\_\_\_\_

**TYPE:** \_\_\_\_\_

**QUANTITY:** \_\_\_\_\_

**SIGNATURE:** \_\_\_\_\_



## ORDERING INFORMATION

1005-2LEDX-AFH	SOURCE / DRIVER	BEAMSPREAD	TRIM / FINISH	LAMP LENS	ACCESSORIES
	/		/		
Airtight Flanged Housing <b>8</b> = 80CRI <b>27</b> = 2700K <b>9</b> = 98CRI <b>30</b> = 3000K <b>35</b> = 3500K <b>40</b> = 4000K	<b>XT8</b> = 120v-277v, 8W 800lm <b>XT12</b> = 120v-277v, 12W 1055lm <b>XT17</b> = 120v-277v, 17W 1400lm <b>XT26</b> = 120v-277v, 26W 2000lm <hr/> <b>S1</b> = 0-10V dimming, 1%, 120-277v <b>T1</b> = TRIAC/ELV 2-wire, 3% 120v (Lead/Trail Edge) <b>E1</b> = EidoLED 0-10V Logarithmic Dim, 0.1%, 120-277v <b>E2</b> = EidoLED DALI, 0.1%, 120-277v <b>E3</b> = EidoLED 0-10V Linear Dim, 0.1%, 120-277v <b>L2</b> = Ltrn Hi-lume 1% 2-wr LED driver (120v fwd phase) <b>L3</b> = Lutron Hi-lume 1% 3-wire/EcoSystem, 120-277v <b>LTB</b> = Lutron Hi-lume 1% EcoSys LED driver, 1%, 120-277v, Soft-on, Fade-to-Black	<b>20</b> = 20 Degrees <b>30</b> = 30 Degrees <b>40</b> = 40 Degrees	<b>P14</b> = White <b>BLK</b> = Black <b>ANA</b> = Clear Aluminum <b>XXXX</b> = RAL# <b>CST</b> = Custom	<b>Blank</b> = None <b>79A</b> = Veiling Acrylic <b>91A</b> = Solite <b>93A</b> = Frosted	<b>97L</b> = Black Hexcell



Patent Pending.  
 These specifications subject to change without notice.

**www.specialtylightingindustries.com**  
 1306 Doris Avenue, Ocean, NJ 07712 USA  
 800.462.7812 732.517.0800 FAX: 732.517.0971