

Dual lamp, low-voltage halogen, recessed accent lights, with (2) 4" (102mm) diameter conical trim, round aperture and optional glass diffuser. Accent and downlighting in low to medium ceiling heights typically found in residential, commercial and retail applications. Suitable for new construction. Flangeless trim can be used with in solid surface ceilings such as wood, stone, metal panel or glass.

SPECIFICATIONS

HOUSING

- Precision die-formed heavy gauge aluminum

MOUNTING

- Install from below in sheetrock ceiling

ELECTRICAL

- Integral dimmable electronic or toroidal magnetic transformer
- 120v primary lead, (220v, 240v, 277v available), 11.75v secondary with overload protection
- External thermoprotector

LAMP

- (2) MR-16, 50w max. supplied by others

SOCKET

- Precision die-formed aluminum yoke with CNC machined lampholder assembly
- G4/G6 ceramic socket with high temperature, teflon coated lead wires

LENS

- Clear pyrex safety lens.
- Optional borosilicate lenses available for lampholder and aperture


TRIM

- Flangeless, die-cast aluminum 2 conical shields with round aperture

FINISH

- Black powder paint housing

LABELS

-  US, US tested to UL standards 1598, Damp location, Wet with SZT trim,



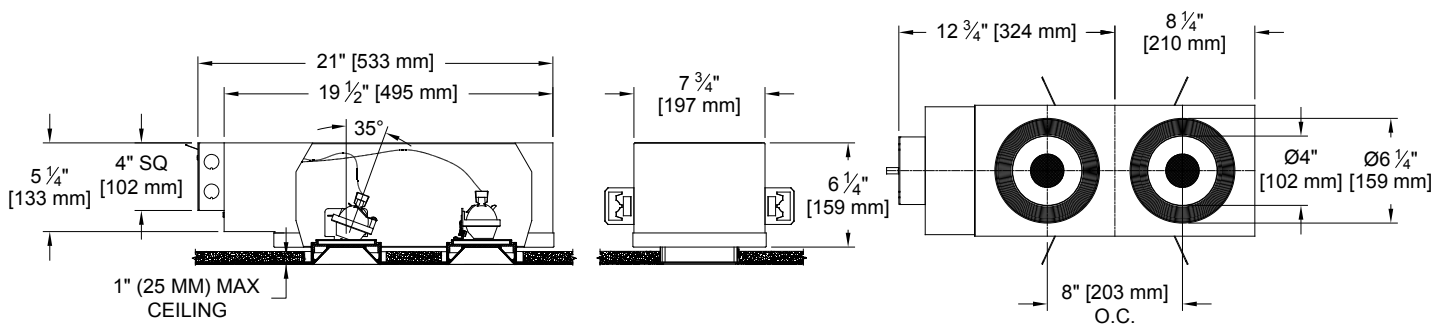
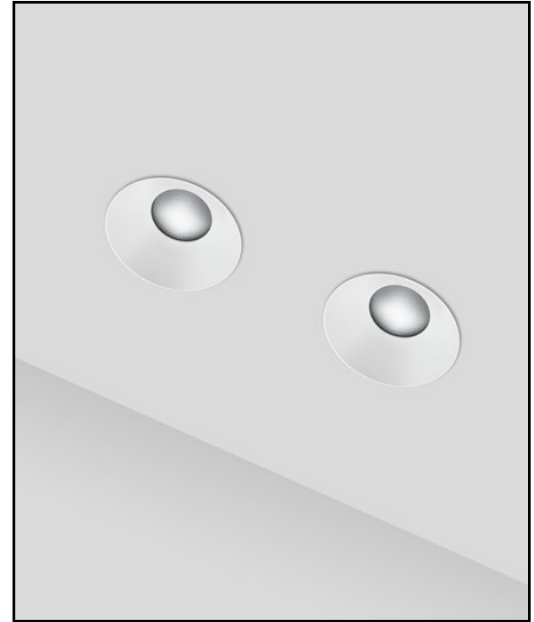
JOB: _____

SPECIFIER: _____

TYPE: _____

QUANTITY: _____

SIGNATURE: _____



ORDERING INFORMATION

1001-2MDL-PH_	TRIM	TRANSFORMER	LAMP LENS	FINISH	APERTURE LENS
				P14	
Dual Lamp Plaster Housing MR35 = MR-16/ 35W MR50 = MR-16/ 50W SMRA = SORAA Retrofit	ZT =Zero Trim SZT = Shower Zero Trim* *Req. Aperture Lens	TX =Magnetic / 120v EX =Electronic / 220v EXS =Elect. SORAA* / 240v 277v *Standard 120v	90L = Clear-Standard 91L = Solite 92L = Supertex 93L = Frosted 97L = Black Hexcell 98L = UV	P14 = White	Blank = None 91A = Solite



Patent Pending.
 These specifications subject to change without notice.

www.specialtylightingindustries.com
 1306 Doris Avenue, Ocean, NJ 07712 USA
 800.462.7812 732.517.0800 FAX:732.517.0971