

Dual lamp, solid state light engine, recessed accent lights with (2) 4" (102mm) trim, round aperture and optional glass diffuser. Accent and downlighting in low to medium ceiling heights typically found in residential, commercial and retail applications. Suitable for new or existing construction in sheetrock ceilings.

JOB: _____
SPECIFIER: _____
TYPE: _____
QUANTITY: _____
SIGNATURE: _____

SPECIFICATIONS

HOUSING

- Precision die-formed heavy gauge aluminum

MOUNTING

- Install from below in sheetrock ceiling

ELECTRICAL

- Integral dimmable electronic driver with internal short circuit protection

LAMP

- (2) Xicato LEDs supplied with fixture

SOCKET

- Precision die-formed aluminum yoke with CNC machined lampholder assembly

LENS

- Interchangeable reflector provides multiple beam patterns


TRIM

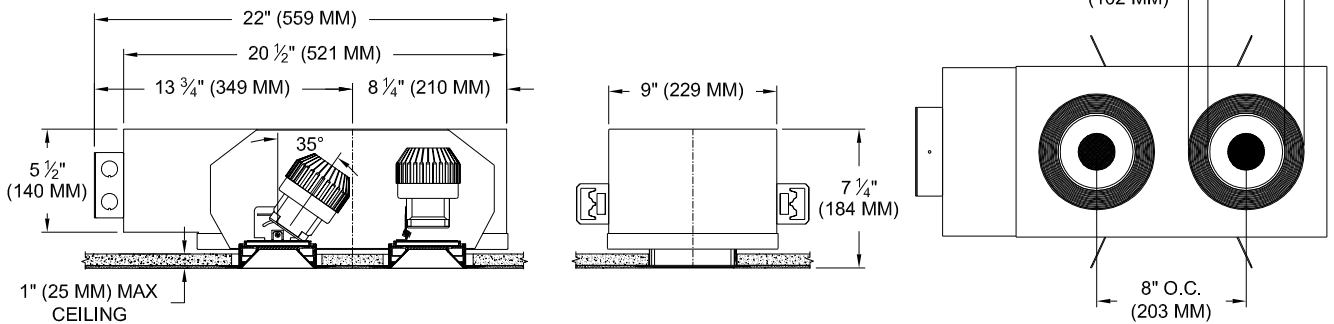
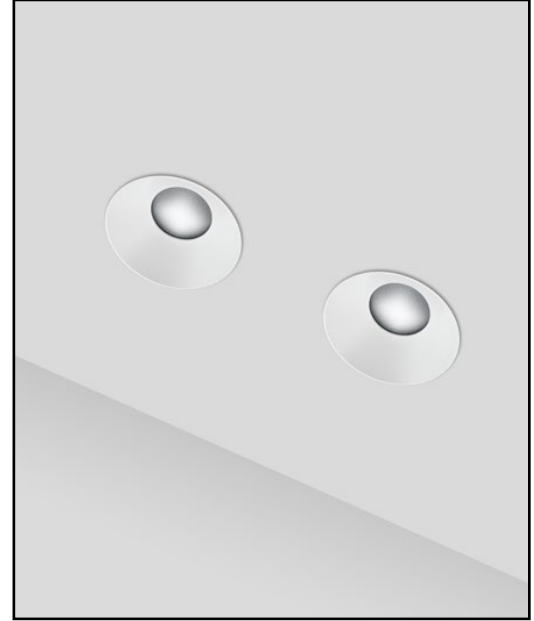
- Flangeless, one piece die-cast aluminum 2 conical shields and round aperture

FINISH

- Black powder paint housing
- Aperture trim available in white as standard

LABELS

-  , US tested to UL standards 1598, Damp location



ORDERING INFORMATION

1001-2MDL-LEDX-PH	TRIM	SOURCE / DRIVER	BEAMSPREAD	TRIM FINISH	APERTURE LENS
		/		P14	
Dual Lamp Plaster Housing 9 = 98CRI 27 = 2700K 30 = 3000K 35 = 3500K 40 = 4000K	ZT =Zero Trim SZT = Shower Zero Trim* *Req. Aperture Lens	XT8 = 120v-277v, 8W 800lm XT12 = 120v-277v, 12W 1055lm XT17 = 120v-277v, 17W 1400lm <hr/> S1 =0-10V dimming, 1%, 120-277v T1 =TRIAC/ELV 2-wire, 3% 120v (Lead/Trail Edge) E1 =EldoLED 0-10V Logarithmic Dim, 0.1%, 120-277v E2 =EldoLED DALI, 0.1%, 120-277v E3 =EldoLED 0-10V Linear Dim, 0.1%, 120-277v L2 =Ltrn Hi-lume 1% 2-wr LED driver (120v fwd phase) L3 =Lutron Hi-lume 1% 3-wire/EcoSystem, 120-277v LTB =Lutron Hi-lume 1% EcoSys LED driver, 1%, 120-277v, Soft-on, Fade-to-Black	30 = 30 Degrees 40 = 40 Degrees	P14 = White	91A = Solite 93A = Frosted

Driver specs based on 98 CRI. [Click to View 80 CRI driver specs](#)



Patent Pending.
 These specifications subject to change without notice.

www.specialtylightingindustries.com
 1306 Doris Avenue, Ocean, NJ 07712 USA
 800.462.7812 732.517.0800 FAX:732.517.0971