

Dual lamp, solid state light engine, recessed accent lights with (2) 4" (102mm) trim, round aperture and optional glass diffuser. Accent and downlighting in low to medium ceiling heights typically found in residential, commercial and retail applications. Suitable for new or existing construction in sheetrock ceiling. AmbientDim™ provides Superior CRI at all dimming levels.

SPECIFICATIONS

HOUSING

- Precision die-formed heavy gauge aluminum with machine adjustable ceiling collar

MOUNTING

- Install from below into sheetrock ceiling

ELECTRICAL

- Integral dimmable electronic driver with internal short circuit protection
- 120v-277v primary, compatible with 0-10v dimmers / Available for 120 phase control and Lutron.

LAMP

- (2) AmbientDim™ LED supplied with fixture

SOCKET

- Precision die-formed aluminum yoke with CNC machined lampholder assembly
- Usocket™** allows easy field replacement of light engine

LENS

- Interchangeable reflector provides multiple beam patterns
- Optional borosilicate lenses available for lampholder and aperture


TRIM

- Flangeless, one piece die-cast aluminum 2 conical shields and round aperture

FINISH

- Black powder paint housing
- Aperture trim available in white as standard

LABELS

-  , US tested to UL standards 1598, Damp location, Wet with SZT trim

JOB: _____

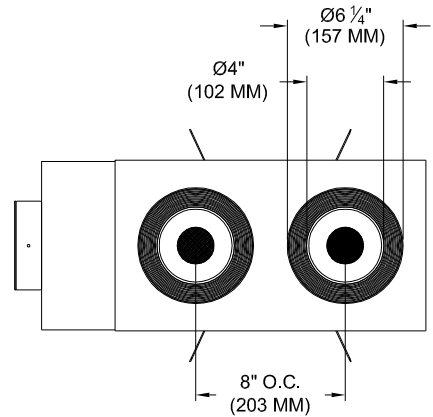
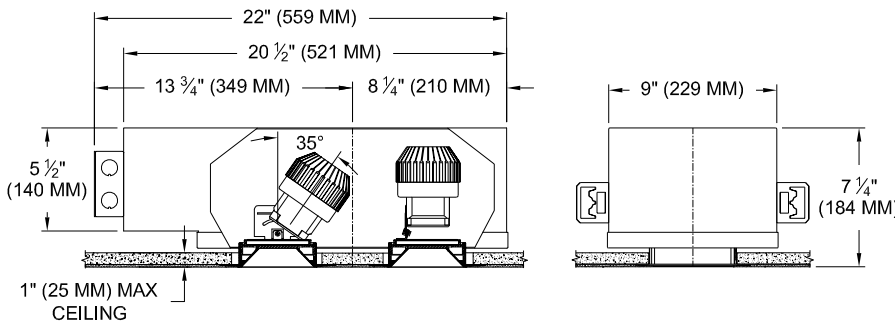
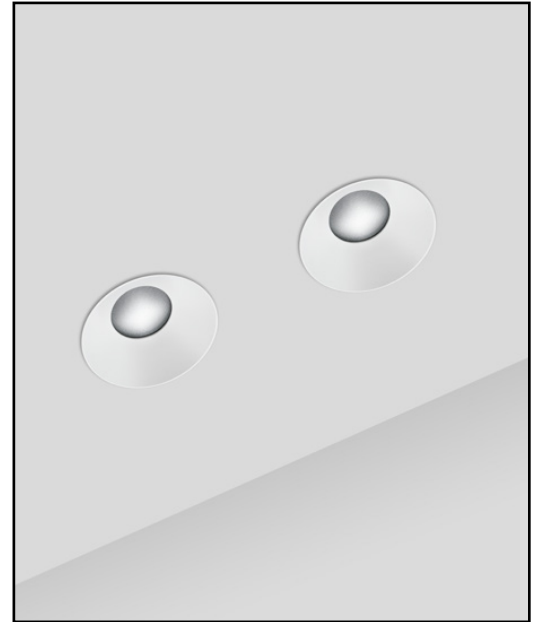
SPECIFIER: _____

TYPE: _____

QUANTITY: _____

SIGNATURE: _____





ORDERING INFORMATION

1001-2MDL-AD-PH	TRIM	DRIVER	BEAMSPREAD	TRIM FINISH	APERTURE LENS
				P14	
Ambient Dimming LED *CCT Max 3000K-1900K	ZT=Zero Trim SZT=Shower Zero Trim* *Req. Aperture Lens	AD14=350ma, 14.5W, 1000lm *Add DM2 for 2 wire dimming *Add LT2 for Lutron 2 wire *Add LT3 for Lutron 3 wire	15 = 15 Degrees 24 = 24 Degrees 38 = 38 Degrees 60 = 60 Degrees	P14 = White	91A = Solite 93A = Frosted



Patent Pending.
These specifications subject to change without notice.

www.specialtylightingindustries.com
1306 Doris Avenue, Ocean, NJ 07712 USA
800.462.7812 732.517.0800 FAX:732.517.0971