

Dual lamp, solid state light engine, recessed accent lights with (2) 4" (102mm) trim, round aperture and optional glass diffuser. Accent and downlighting in low to medium ceiling heights typically found in residential, commercial and retail applications. Suitable for new or existing construction in sheetrock ceilings. AmbientDim™ provides Superior CRI at all dimming levels.

SPECIFICATIONS

HOUSING

- Precision die-formed heavy gauge aluminum
- ≈ Airtight construction suitable for direct contact with insulation

MOUNTING

- Install from below in sheetrock ceiling

ELECTRICAL

- Integral dimmable electronic driver with internal short circuit protection

LAMP

- (2) AmbientDim™ LED supplied with fixture

SOCKET

- Precision die-formed aluminum yoke with CNC machined lampholder assembly

LENS

- Interchangeable reflector provides multiple beam patterns
- Optional borosilicate lenses available for lampholder and aperture


TRIM

- Flangeless, one piece die-cast aluminum 2 flat round plates and round aperture

FINISH

- Black powder paint housing
- Aperture trim available in white as standard

LABELS

-  , US tested to UL standards 1598, Damp location, Wet with SZT trim, IC/Airtight, Chicago Plenum

JOB: _____

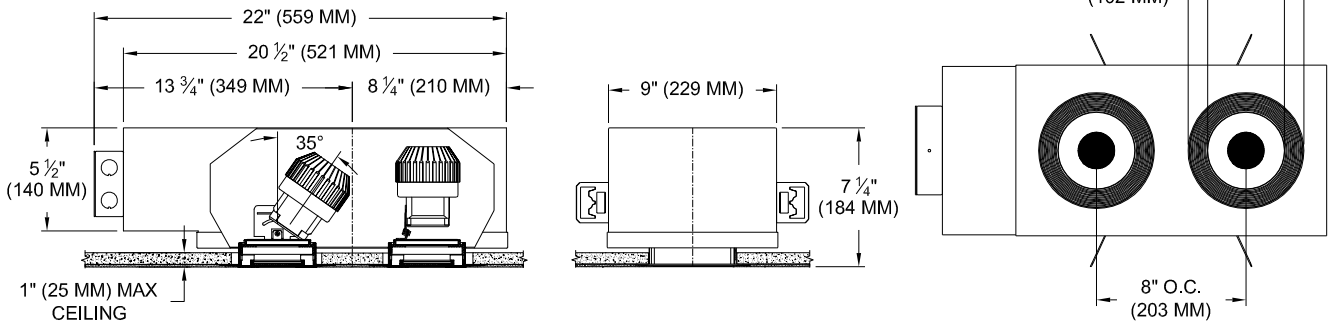
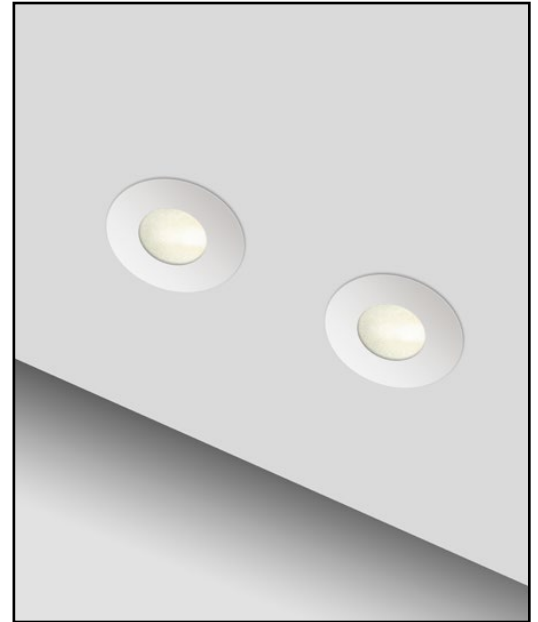
SPECIFIER: _____

TYPE: _____

QUANTITY: _____

SIGNATURE: _____

 AmbientDim™



ORDERING INFORMATION

Hanger bars sold separately

1000-2MDL-LED-AD-APH	TRIM	SOURCE / DRIVER	BEAMSPREAD	TRIM FINISH	APERTURE LENS	ACCESSORIES
		AD14 /		P14		
Dual Lamp Airtight Plaster Housing Ambient Dimming LED *CCT Max 3000K-1900K	ZT =Zero Trim SZT = Shower Zero Trim* *Req. Aperture Lens	AD14 =350ma, 14.5W, 1000lm C1 =0-10V dimming, 1%, 120-277v C2 =TRIAC/ELV 2-wire, 3% 120v (Lead/Trail Edge) E1 =EldoLED 0-10V Logarithmic Dim, 0.1%, 120-277v E2 =EldoLED DALI, 0.1%, 120-277v E3 =EldoLED 0-10V Linear Dim, 0.1%, 120-277v L2 =Lutron Hi-lume 1% 2-wr LED driver (120v forward phase) LTB =Lutron Hi-lume 1% EcoSys LED driver, 1%, 120-277v, Soft-on, Fade-to-Black	15 = 15 Degrees 24 = 24 Degrees 38 = 38 Degrees 60 = 60 Degrees	P14 = White	91A = Solite 93A = Frosted	CP =Chicago Plenum