

Instruction Sheet for Replacement for Integral Electronic or Integral Magnetic Transformer

It is recommended these products be installed by a qualified electrician.

Note: This product must be installed in accordance with the applicable installation code by a person familiar with the construction and operation of the product hazards involved



Step 1- Disconnect power.
Remove trim.

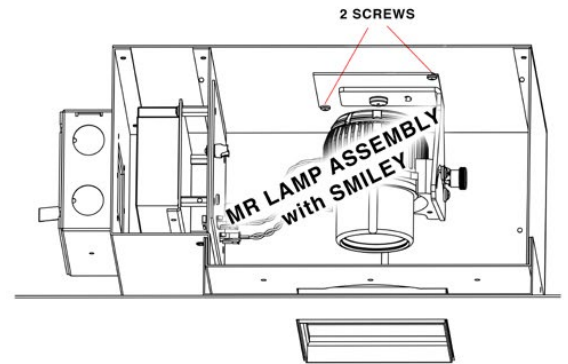
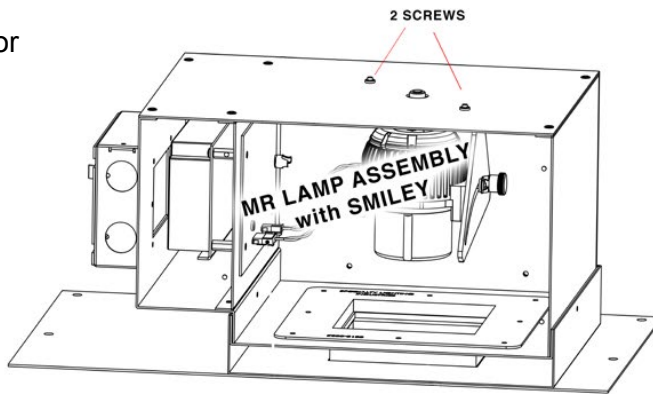


Step 2- Remove 2 screws that hold smiley lamp assembly in place and remove lamp assembly (See Drawing below).



Step 3- Press and lift spring latch that holds plate in place. Remove plate.

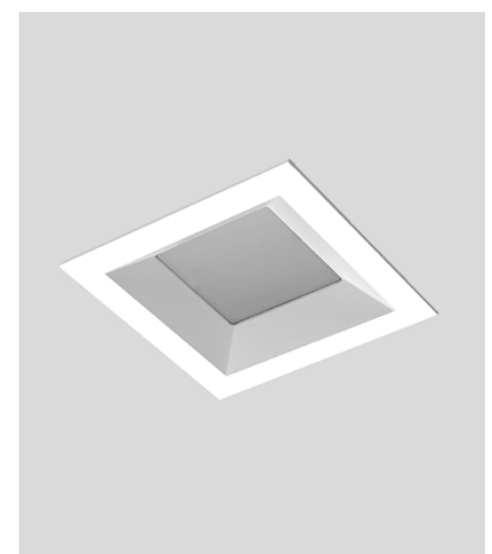
NOTE: Drawing for general reference for screw location on housing.



Step 4- Remove transformer assembly by removing 1 screw. Screw located below transformer strap.



Step 5- After assembly has been removed, replace with new transformer. Reverse steps to re-install.



Step 6- Test power for lamp illumination. Re-insert trim.