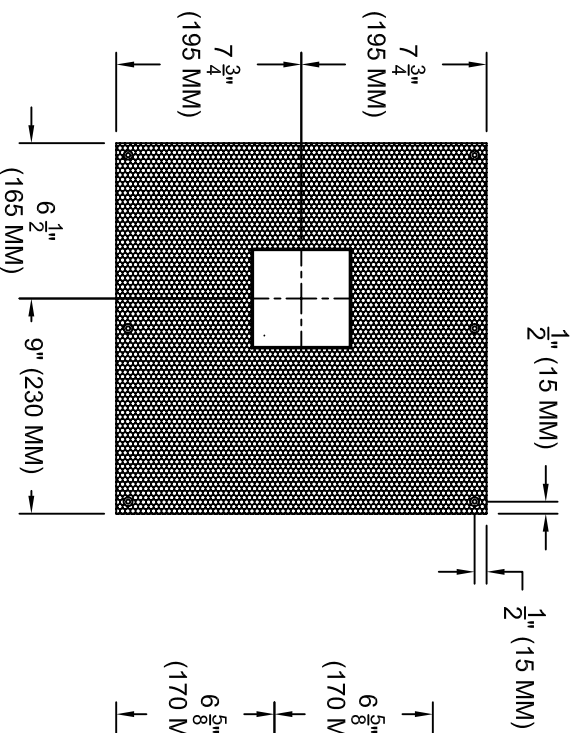
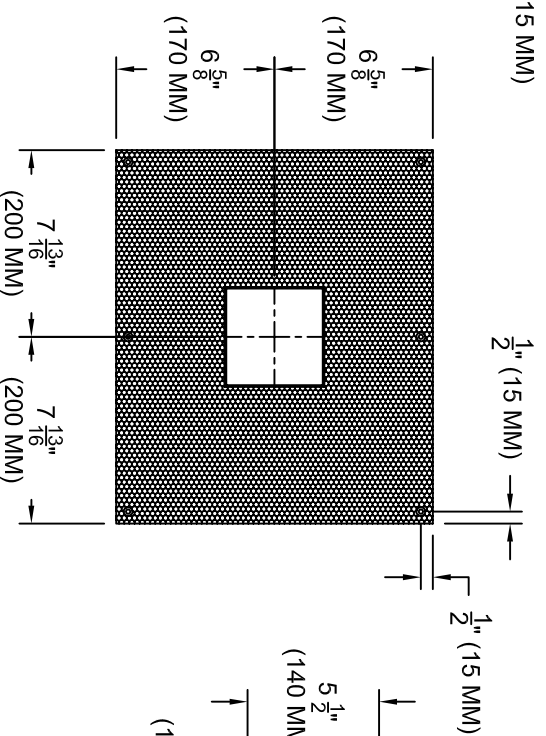


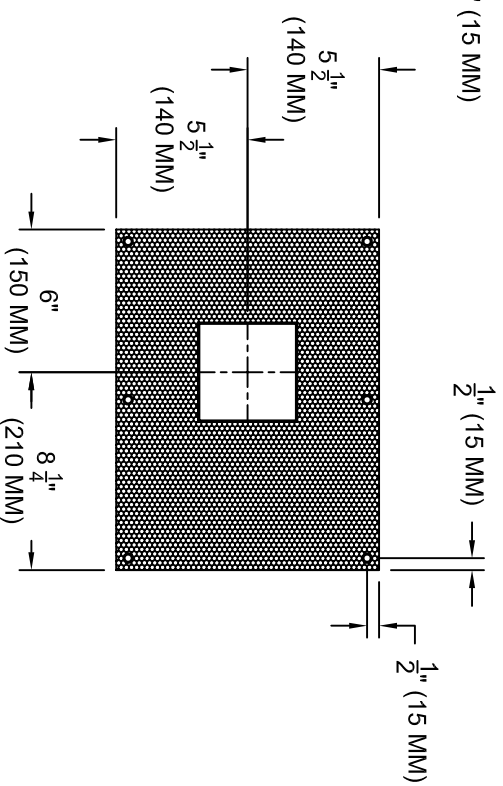
# APERTURE CENTERLINE 1 LIGHT HOUSING



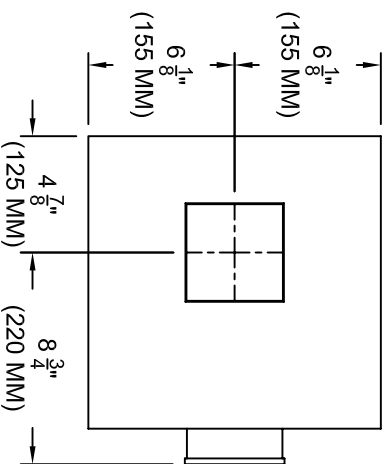
APH



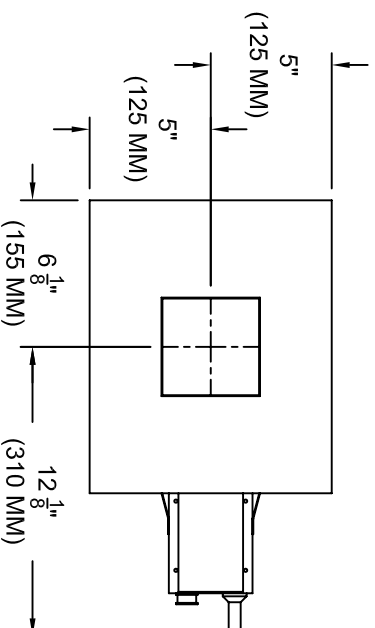
SPH



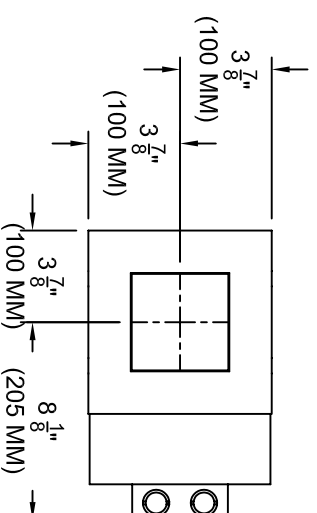
PH



AUH  
(AWH)



SUH  
(SWH)



UH  
(WH)



SPECIALTY LIGHTING  
INDUSTRIES, INC.

1306 DORIS AVENUE, OCEAN, NJ 07712 USA

800.462.7812

732.517.0800

www.specialtylightingindustries.com

FAX 732.517.0971