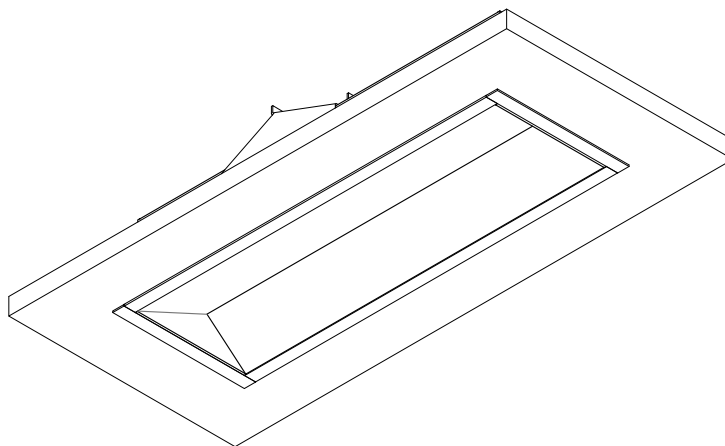
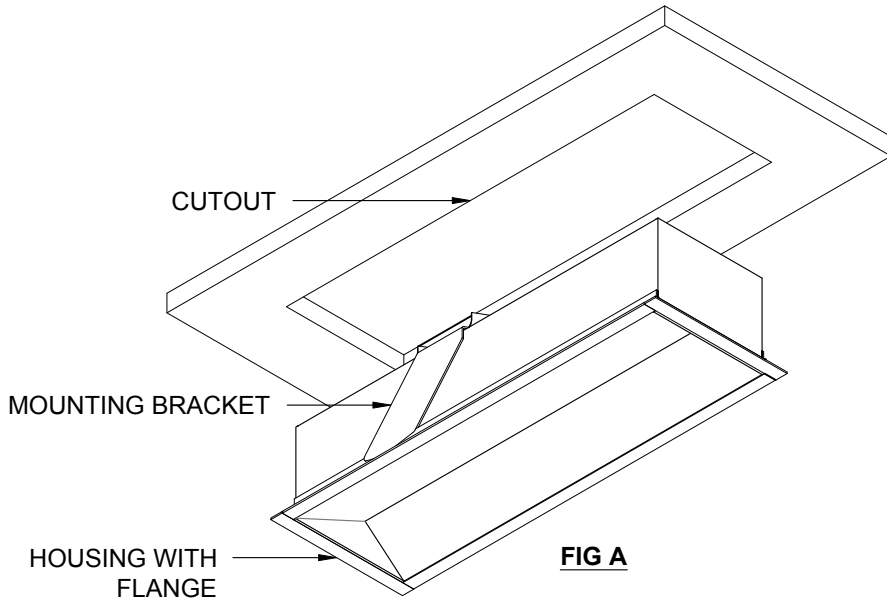


415/601/607/815-FH INSTALLATION



1. Provide cutout for fixture as indicated in submittal drawing. Ensure ceiling has proper support for the weight of the fixture. (Fixture weight 5lbs. per ft.) Connect power feed and install housing through cutout. Ensure alignment hardware (dowel pins) are installed if multiple fixture sections are provided. Locate securement screw for the mounting bracket. Screw will be located on the inside of the housing directly below the mounting bracket. Locations indicated on submittal drawing. (FIG A)

2. Install lenses, test with power.

NOTE: DO NOT TURN POWER ON TO FIXTURE. UNTIL INSTALLATION IS COMPLETE.

****IT IS RECCOMENDED THAT THESE PRODUCTS ARE INSTALLED BY A QUALIFIED ELECTRICIAN****