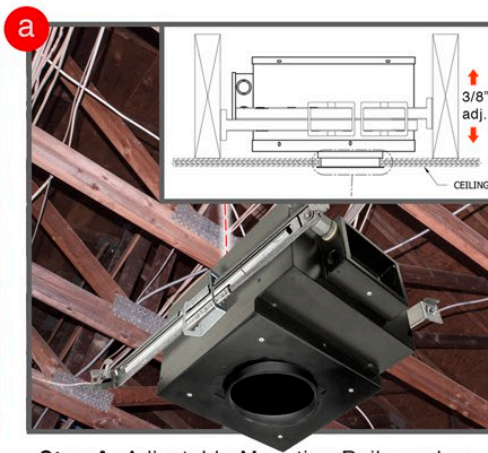
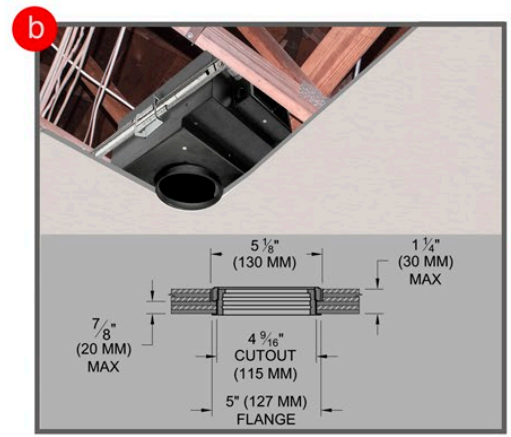




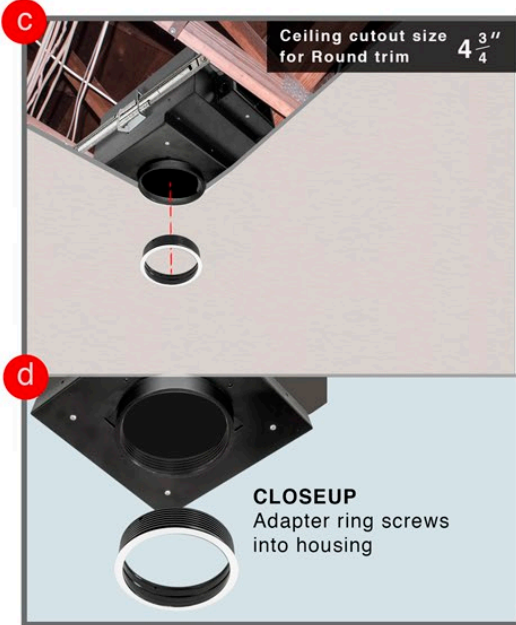
Exposed Ceiling Joists. Connect all wiring for housing before ceiling installation



Step A- Adjustable Mounting Rails anchor housing to ceiling joists with screws. Housing can be adjusted vertically. See Details above.



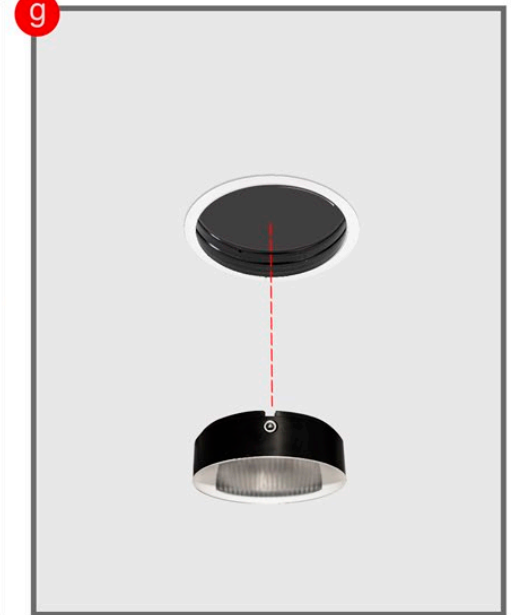
Step B- After housing is secured, finish ceiling installation.



Step C/D- Flanged collar gets screwed into housing. This is required for proper installation of round trim.



Step E- Flanged collar should be installed after painting, wood, metal ceiling has been prepped. Screw flanged collar into housing.
Step F- Slide lamp assembly into collar.



Step G- Position trim to face wall (See below for proper trim position.)

IMPORTANT
Ball Plunger on round trim needs to click into grooves in receiver

1250
uses Ball Plunger locking system

*Trim in view is 1250WW - Round Flange Trim

IMPORTANT!
Ensure that trim is aimed at wall properly



→ → →
Illuminated Wall

trims available



1250- Round Flange

LED Wall Wash NIC/IC Rated Flanged Round Trim with Housing Instruction Sheet for 1250WW



Final step is to make sure trim is locked using ball plungers