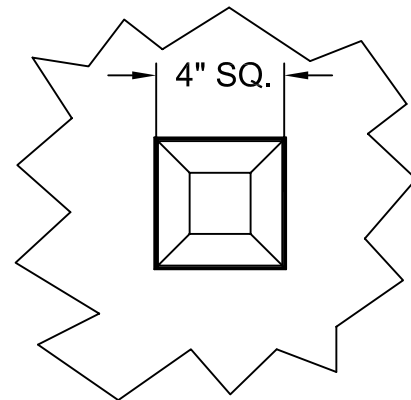
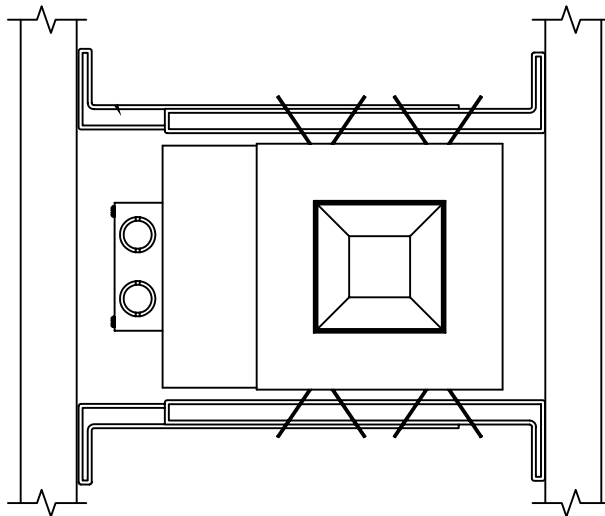
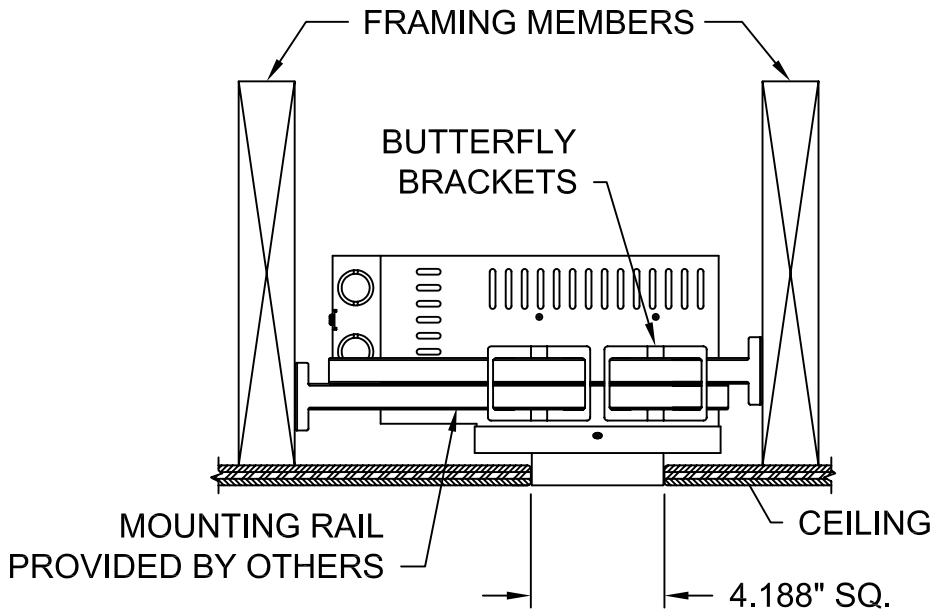


# 1009WD MILLWORK CEILING INSTALLATION

## MOUNTING INSTRUCTIONS

1. Install mounting rails through butterfly brackets in fixture.
2. Secure mounting rails to framing members at required level.
3. Wire fixture.
4. Cut 4-3/16" square opening in millwork and install over fixture.



REFLECTED PLAN VIEW



SPECIALTY LIGHTING  
INDUSTRIES, INC.

1306 DORIS AVENUE, OCEAN, NJ 07712 USA

800.462.7812

[www.specialtylightingindustries.com](http://www.specialtylightingindustries.com)

732.517.0800 FAX 732.517.0971