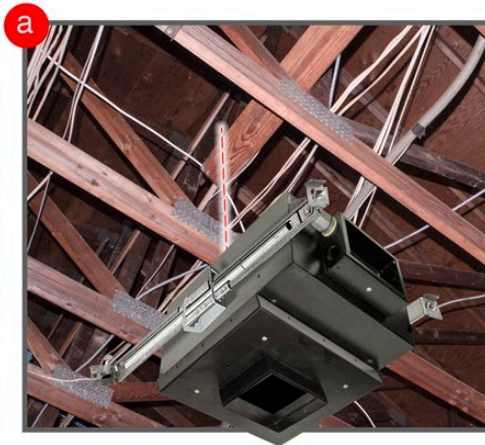
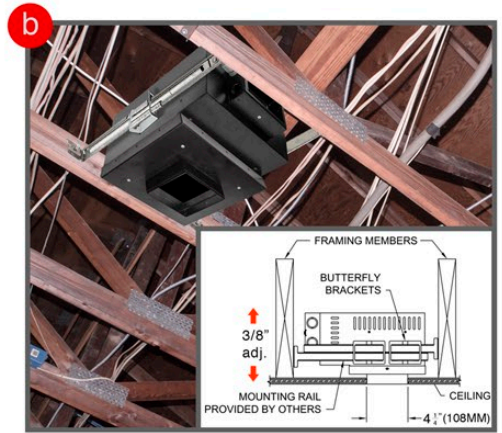




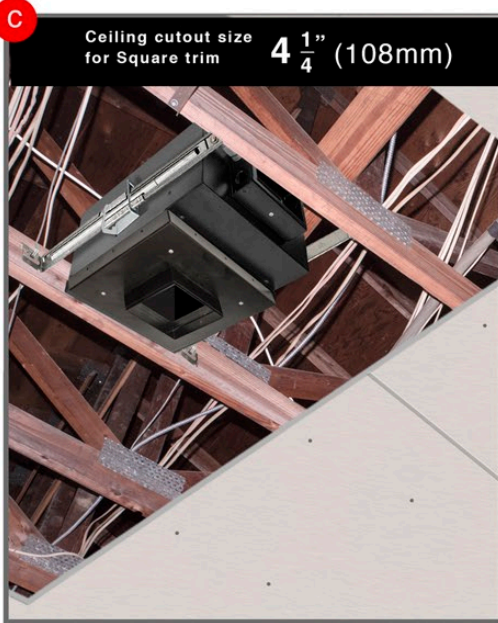
Exposed Ceiling Joists. Connect all wiring for housing before ceiling installation.



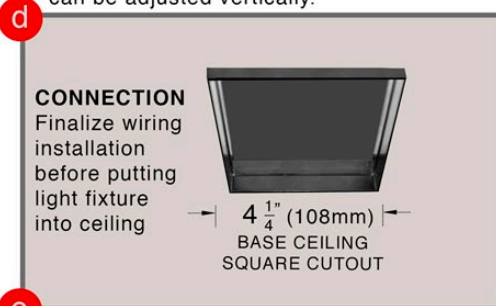
Step A- Adjustable Mounting Rails anchor housing to ceiling joists with screws. Housing can be adjusted vertically.



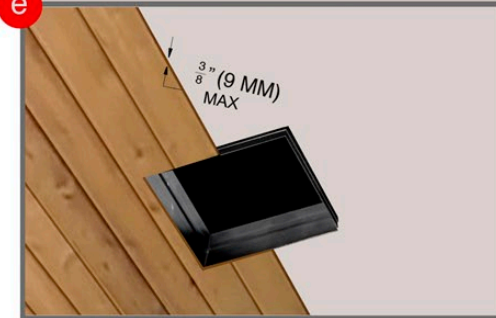
Step B- After vertical adjustments have been made, continue ceiling install.



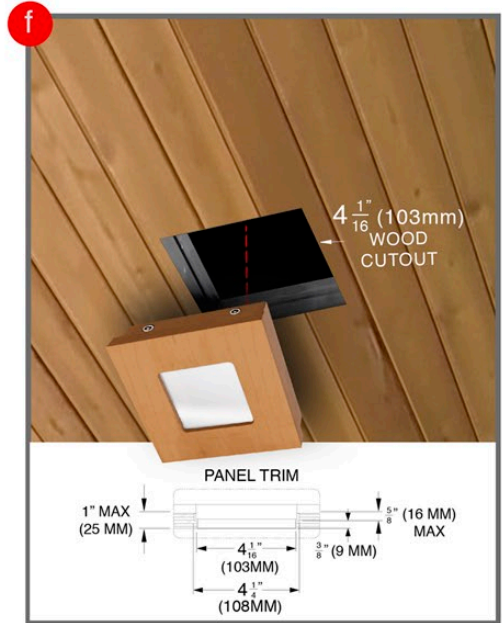
Step C- Finish base ceiling installation.



CONNECTION
Finalize wiring installation before putting light fixture into ceiling

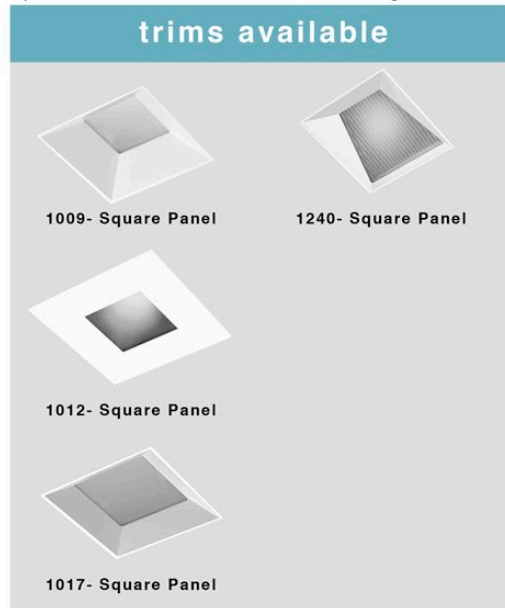


Step D- Install base ceiling and cutout square opening in ceiling to fit around housing throat.
Step E- Start installing panel ceiling over existing base ceiling. Cutout square area for panels to fit and conceal the housing throat.



Step F- Ceiling cutout in panel ceiling needs to cover surface of collar. Panels cannot be more than 3/8" thick and needs to fit below housing throat (See Detail above.)

IMPORTANT NOTE for Step F: Wood panel ceiling opening needs to cover over the edge of housing throat.



Instruction sheet for Panel (Wood, Metal) Install (Flangeless trim) 1009, 1012, 1017, 1240

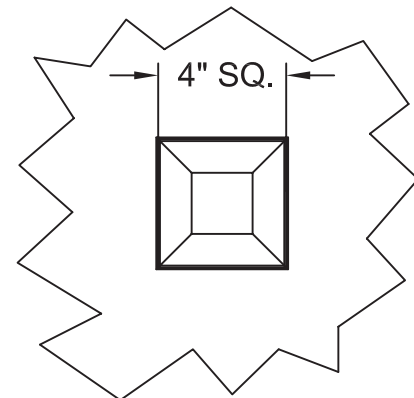
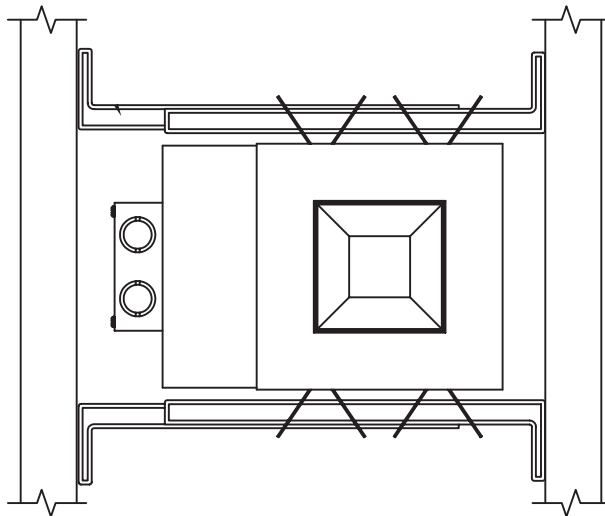
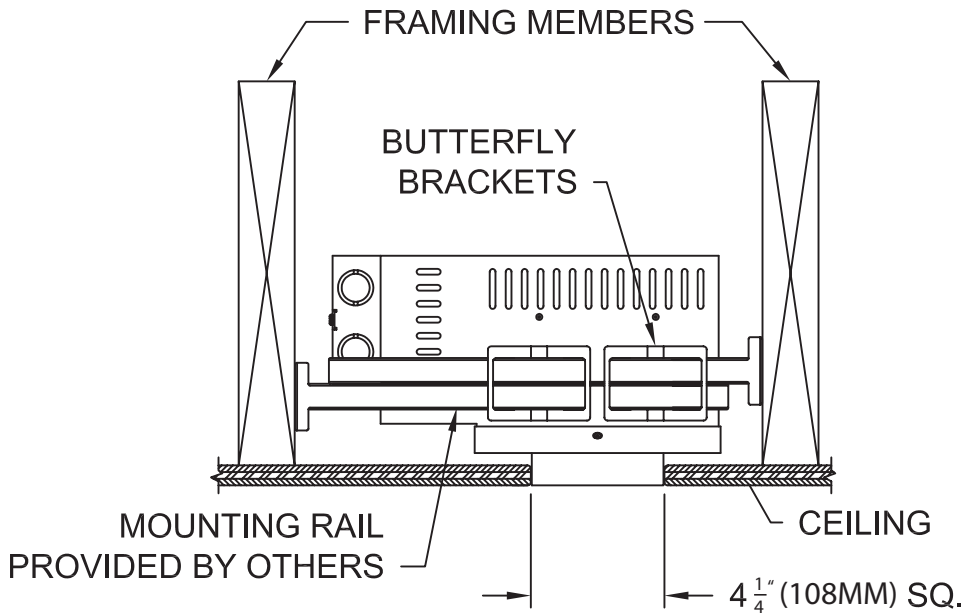


Final step is to make sure trim is locked using ball plungers

1009WD MILLWORK CEILING INSTALLATION

MOUNTING INSTRUCTIONS

1. Install mounting rails through butterfly brackets in fixture.
2. Secure mounting rails to framing members at required level.
3. Wire fixture.
4. Cut 4-1/16" square opening in millwork and install over fixture.



REFLECTED PLAN VIEW